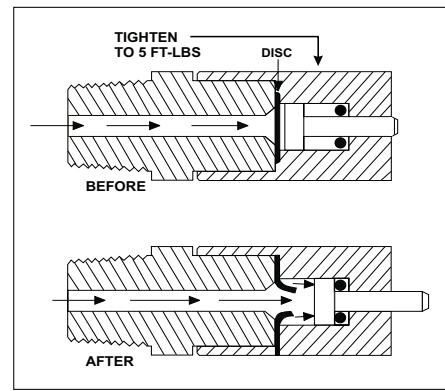


**Rupture Indicator**

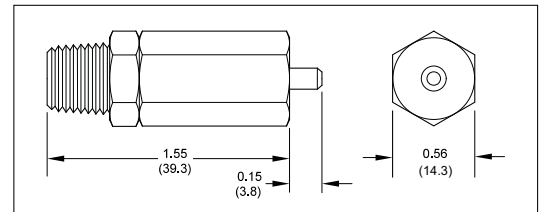
Rupture indicators are used on MH divider valve applications where lube system pressures exceed 2,500 psi. The high pressure from lube line blockage causes a disc to rupture. The lubricant then forces an indicator pin to protrude, locating the blockage. (See Figure 5.) The high pressure backs up through the system and trips a switch to shut the system off. When the fault is corrected, the disc must be replaced and the pin reset manually. See Table 4 for ordering data and Figure 6 for dimensions.

Pressure (psi)	1/8-27 NPTF	1/8-27 NPSF w/O-Ring	Replacement Disc (3/8 in Dia.)	Disc Color
2800 ± 20%	563228 (509-499-620)	563229 (509-499-625)	557422 (509-277-000)	Green
3700 ± 20%	563220 (509-499-100)	563221 (509-499-105)	557423 (509-278-000)	Yellow
4600 ± 20%	564355 (509-499-120)	563222 (509-499-125)	557424 (509-279-000)	Red
5500 ± 20%	563223 (509-499-140)	563224 (509-499-145)	557425 (509-280-000)	Orange
6400 ± 20%	563225 (509-499-160)	563226 (509-499-165)	557427 (509-282-000)	Pink
7300 ± 20%	563227 (509-499-200)	— (509-499-205)	557428 (509-283-000)	Blue
8200 ± 20%	— (509-499-220)	—	557429 (509-284-000)	Purple

**Table 4. Rupture Indicator Ordering Data**



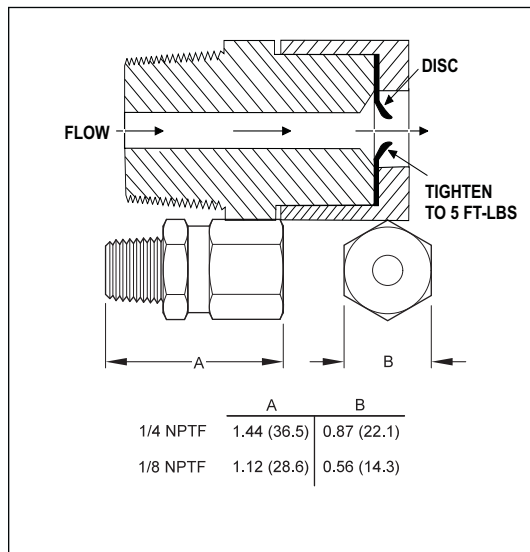
**Figure 5. Rupture Indicator Operation**



**Figure 6. Rupture Indicator Dimensions**

**Rupture-to-Atmosphere Indicator**

These indicators, which are standard on all Graco pumps, provide pump protection and give visual indication of excessive system pressure. The pressure disc ruptures at a predetermined pressure setting, venting lubricant to the atmosphere and relieving the high pressure. (See Figure 7.) See Table 5 for ordering data.



**Figure 7. Rupture-to-Atmosphere Operation/Dimensions**

Pressure (psi*)	Complete Assembly	Replacement	Disc Color	Blowout Disc
<b>1/4 in NPTF Fittings</b>		<b>11/16 in Dia</b>		<b>(QTY = 6)</b>
900	Disc. (509-206-060)	557431 (509-290-000)	Black	Disc. (560-900-250)
1450	563179 (509-206-100)	557433 (509-292-000)	Yellow	563962 (560-900-270)
1750	563182 (509-206-120)	557434 (509-293-000)	Red	563963 (560-900-280)
2050	563183 (509-206-140)	557435 (509-294-000)	Orange	563964 (560-900-290)
2350	563184 (509-206-160)	557436 (509-295-000)	Aluminum	563965 (560-900-300)
2650	— (509-206-180)	557437 (509-296-000)	Pink	Disc. (560-900-310)
2950	563185 (509-206-200)	557438 (509-297-000)	Blue	563966 (560-900-320)
3250	— (509-206-220)	557439 (509-298-000)	Purple	Disc. (560-900-330)
<b>1/8 in NPTF Fittings</b>		<b>3/8 in Dia.</b>		<b>(QTY = 25)</b>
900	— (509-230-060)	555788 (509-276-000)	Black	563952 (560-900-050)
1450	Disc. (509-230-100)	557423 (509-278-000)	Yellow	563954 (560-900-070)
1750	564059 (509-230-120)	557424 (509-279-000)	Red	563955 (560-900-080)
2050	Disc. (509-230-140)	557425 (509-280-000)	Orange	563956 (560-900-090)
2350	563191 (509-230-160)	557426 (509-281-000)	Aluminum	563957 (560-900-100)
2650	Disc. (509-230-180)	557427 (509-282-000)	Pink	563958 (560-900-110)
2950	563192 (509-230-200)	557428 (509-283-000)	Blue	563959 (560-900-120)
3250	563193 (509-230-220)	557429 (509-284-000)	Purple	563960 (560-900-130)
5000	563194 (509-230-350)	557430 (509-285-200)	Brown	563961 (560-900-140)
<b>High Pressure 1/8 in NPTF Fittings</b>		<b>3/8 in Dia.</b>		<b>(QTY = 25)</b>
3700	564479 (509-494-100)	557423 (509-278-000)	Yellow	563954 (560-900-070)
4600	563216 (509-494-120)	557424 (509-279-000)	Red	563955 (560-900-080)
5500	563217 (509-494-140)	557425 (509-280-000)	Orange	563956 (560-900-090)
6400	563218 (509-494-160)	557427 (509-282-000)	Pink	563958 (560-900-110)
7300	563219 (509-494-200)	557428 (509-283-000)	Blue	563959 (560-900-120)
8200	— (509-494-220)	554729 (509-284-000)	Purple	563960 (560-900-130)
9500	— (509-230-500)	— (509-285-000)	Gray	—

\* Disc up to 2350 psi have a tolerance of ± 500 psi. Discs greater than 2350 psi have a tolerance of ± 20%

**Table 5. Rupture-to-Atmosphere Ordering Data**